

Indoor | Surface | Output up to 190lm/module

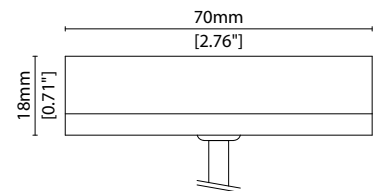


Key applications

- ✓ Cabinet & furniture
- ✓ Direct lighting
- ✓ Display case
- ✓ Downlighting
- ✓ Orientation lighting
- ✓ Retail display
- ✓ Shelving display
- ✓ Wall mounting

Key features

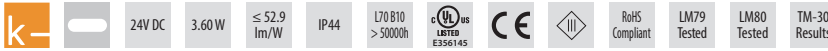
- ✓ Constant Voltage (CV)
- ✓ Decorative
- ✓ Diffusion: homogenous
- ✓ Direct view
- ✓ Extensive CCT range
- ✓ Glare control options
- ✓ IP44 moisture resistant





PUK-L

Specification sheet



Dimensions	H18/Ø70mm (H0.71/Ø2.76in)
PCB Cut-point	-
LED Pitch	-
Chip	k-line
Cover/Optics	Clear (90°)/Diffused (115°)/Clear + Honeycomb louvre (45°)
CCT	k-line: 1900K/2100K/2300K/2500K/2700K/3000K/3500K/4000K/5000K
LED binning	k-line: 3-step MacAdam ellipse
CRI	≥90
Lifetime	50,000 hours @ 25°C (50,000 hours @ 77°F)
Operating temp	T _a = -25 to 45°C (T _c max = 71.4°C) T _a = -13 to 113°F (T _c max = 160.5°F)
IP Rating	IP44
Finish	Silver anodised
Mounting	Surface mounted via screws (supplied)
Power feed	Single sheathed hardwire tail
Control	0-10V/1-10V/DMX/DALI



LED Grading Key

Base Grade

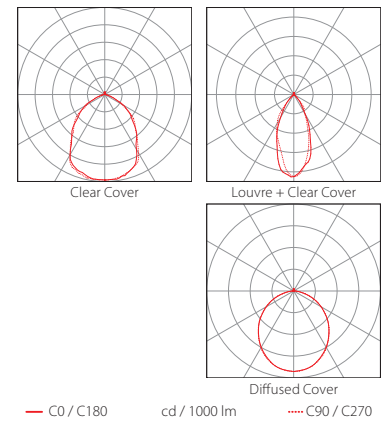
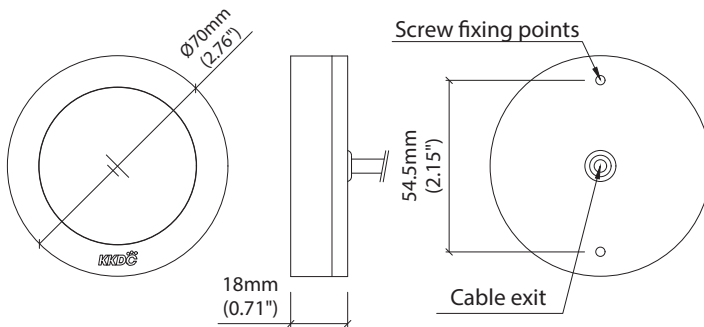
k-line
3-step commercial range
Energy Star CCTs

Power consumption	Supply voltage	Supply current
3.60W	24V DC	0.15A

Performance Data (3000K)

	R1	R2	R3	R4	R5	R6	R7	R8	R9	R10	R11	R12	R13	R14
k-line	94	97	98	93	93	96	92	83	60	93	94	82	95	99

	Clear Cover	Clear Cover + Honeycomb louvre	Diffused Cover	CRI	R9	Rf	Rg
k-line	190lm/module 53lm/W	60lm/module 17lm/w	150lm/module 41lm/W	92	61	90	100



Data derived from independent UKAS/IESNA LM-79-08 accredited testing of production samples.



PUK-L Code Table



FIXTURE

Model	Finish	Cover	Grade ¹	LED	Colour (CCT)	IP	Cable Length	Power Feed	Lens	Input																							
PUK-L	PL	Silver Anodised	SA	Clear	B	k	142	1900K	19	IP44	44	1000mm/39.37"	1000	Single ø4.3mm sheath tail	S00A	No lens	XX	DC 24V	g														
																				Diffused	C	k	142	2100K	21	1000mm/39.37"	1000	Single ø4.3mm sheath tail	S00A	No lens	XX	DC 24V	g
																								2300K	23								
																								2500K	25								
																								2700K	27								
																								3000K	30								
																								3500K	35								
																								4000K	38								
																								5000K	50								
																								5mm Honeycomb Louvre	HL								

¹ Refer to LED Grading Key on Specification sheet page

Code Example:

PL	-	SA	-	B	-	k	-	142	-	30	-	44	-	1000	-	S00A	-	XX	-	g
PUK-L		Silver Anodised		Clear		k		PUK-L		3000K		IP44		1000mm/39.37"		Single ø4.3mm sheath tail		No lens		DC 24V

ACCESSORIES

Mounting Accessories

PUHC-01	5mm Honeycomb louvre
---------	----------------------

* Refer to **Mounting accessories** on **Accessories** pages

PSU/Driver

0-10V/1-10V/DALI/DMX

* Refer to **Driver/PSU Options** page for details or provide requirement and KKDC to offer the suitable option

MOUNTING ACCESSORIES

Note: Accessories are to be ordered separately with corresponding code shown below.



PUHC-01

5mm Honeycomb louvre
(Includes clip)
Black finish

KKDC CONTROL



IP20
Plastic housing
L170/W59/H29mm
(L6.69/W2.32/H1.14in)

KKDM-06 1-10V

visDIM dimmable sub-controller
(4 x 8A max @ 12-36V)



IP20
Plastic housing
L170/W53.4/H28mm
(L6.69/W2.10/H1.10in)

KKSC-05 DMX

visDIM dimmable sub-controller
(4 x 5A max @ 12-36V)



IP20
Plastic housing
L170/W59/H29mm
(L6.69/W2.32/H1.14in)

KKDL-02 DALI

visDIM dimmable sub-controller
(4 x 8A max @ 12-36V)



IP20
Plastic housing
L166/W53.4/H23mm
(L6.54/W2.10/H0.91in)

KKDL-03 DALI

visDIM dimmable sub-controller
(4 x 5A max @ 12-36V)



PUK-L Driver/PSU Options



AVAILABLE PSU OPTIONS

Control Mode	PSU (Order Code)	Input Voltage AC	Output Voltage DC	Rated Output Current	Rated Power	Dim %	IP Rating
Switched	CEN-60-24	90-295V	24V	2.5A	60W	-	IP67
	HLG-60H-24	90-305V	24V	2.5A	60W	-	IP67
	HLG-100H-24	90-305V	24V	4.0A	100W	-	IP67
	HLG-150H-24	90-305V	24V	6.3A	150W	-	IP67
	HLG-240H-24	90-305V	24V	10A	240W	-	IP67
0-10V (1-10V)	PWM-40-24	90-305V	24V	1.67A	40W	100-0.15 (100-10)	IP67
	PWM-60-24	90-305V	24V	2.5A	60W	100-0.15 (100-10)	IP67
	PWM-90-24	90-305V	24V	3.67A	90W	100-0.15 (100-10)	IP67
	PWM-120-24	90-305V	24V	5.0A	120W	100-0.15 (100-10)	IP67
DALI	LIN100A1	120-277V	24V	1A per channel	100W	100-0.1	IP66/IP40
DMX RGB	LIN100A1	120-277V	24V	1.33A per channel	100W	100-0.1	IP66/IP40
DMX RGBW	LIN100A1	120-277A	24V	1A per channel	100W	100-0.1	IP66/IP40

Flicker Free Options - Combination of PSU+ sub-controller

Control Mode	PSU (Order Code)	Sub-controller (Order Code)	Input Voltage AC	Output Voltage DC	Rated Output Current	Rated Power	Dim %	IP Rating PSU/ Sub-controller
0-10V or 1-10V	CEN-60-24	KKDM-06	90-295V	24V	2.5A	60W	100-0.9	IP67/IP20
	HLG-60H-24	KKDM-06	90-295V	24V	2.5A	60W	100-0.9	IP67/IP20
	HLG-100H-24	KKDM-06	90-295V	24V	4.0A	100W	100-0.9	IP67/IP20
	HLG-150H-24	KKDM-06	90-295V	24V	6.3A	150W	100-0.9	IP67/IP20
	HLG-240H-24	KKDM-06	90-295V	24V	10.0A	240W	100-0.9	IP67/IP20
DALI	CEN-60-24	KKDL-02/03	90-295V	24V	2.5A	60W	100-0.1	IP67/IP20
	HLG-60H-24	KKDL-02/03	90-305V	24V	2.5A	60W	100-0.1	IP67/IP20
	HLG-100H-24	KKDL-02/03	90-305V	24V	4.0A	100W	100-0.1	IP67/IP20
	HLG-150H-24	KKDL-02/03	90-305V	24V	6.3A	150W	100-0.1	IP67/IP20
	HLG-240H-24	KKDL-02/03	90-305V	24V	10.0A	240W	100-0.1	IP67/IP20
DMX RGB	CEN-60-24	KKSC-05	90-295V	24V	2.5A	60W	100-0.9	IP67/IP20
	HLG-60H-24	KKSC-05	90-305V	24V	2.5A	60W	100-0.9	IP67/IP20
	HLG-100H-24	KKSC-05	90-305V	24V	4A	100W	100-0.9	IP67/IP20
	HLG-150H-24	KKSC-05	90-305V	24V	6.3A	150W	100-0.9	IP67/IP20
	HLG-240H-24	KKSC-05	90-305V	24V	10.0A	240W	100-0.9	IP67/IP20

¹ The items shown above cover the most frequently used specification but does not exhaust the possible options

² PSU and/or driver can be chosen from the table, or KKDC may recommend the best option upon receipt of the controls requirement and installation environment

³ Electrical shop drawing will include detailed information of PSU and relevant control drivers

⁴ Cut sheets are available on the controls section of www.kkdc.lighting or upon request